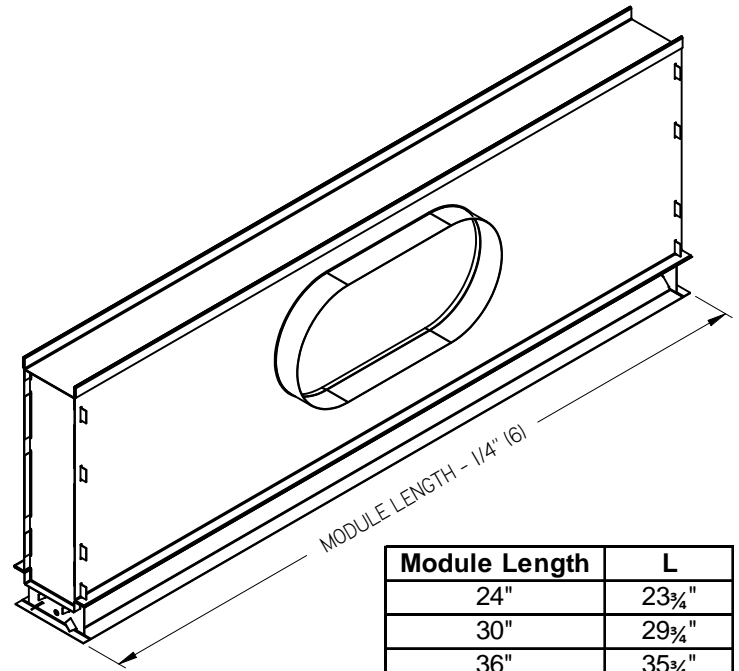
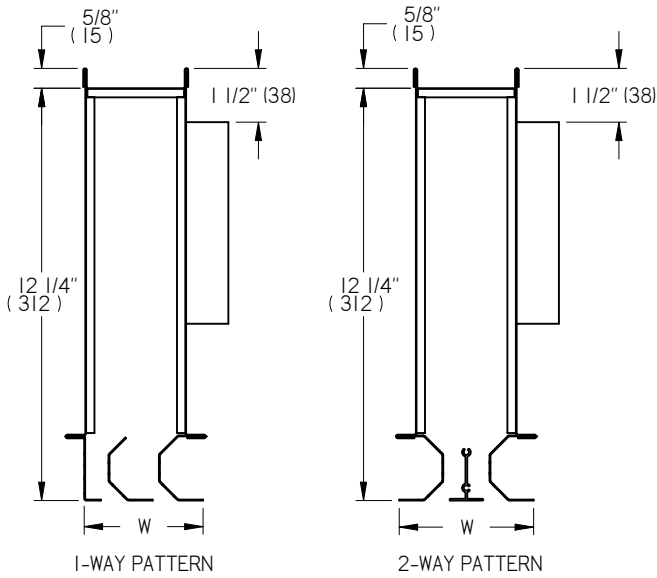


TBD7, TBDI7 T-BAR SUPPLY DIFFUSERS



|        | W            |              |
|--------|--------------|--------------|
|        | 1 WAY        | 2 WAY        |
| 1 SLOT | 2" (51)      | -            |
| 2 SLOT | 3 1/2" (90)  | 4" (102)     |
| 3 SLOT | 5" (127)     | 5 1/2" (140) |
| 4 SLOT | 6 1/2" (165) | 7" (178)     |

| Module Length | L       |
|---------------|---------|
| 24"           | 23 3/4" |
| 30"           | 29 3/4" |
| 36"           | 35 3/4" |
| 48"           | 47 3/4" |
| 60"           | 59 3/4" |
| 600mm         | (594)   |
| 750mm         | (744)   |
| 900mm         | (894)   |
| 1200mm        | (1194)  |
| 1500mm        | (1494)  |

**STANDARD CONSTRUCTION:**

- STEEL DIFFUSER SECTION
- COATED STEEL PLENUM

**OPTIONAL INSULATION (MODEL TBDI7):**

- COATED FIBERGLASS (CF)
- FIBER FREE FOAM (FF)
- EXTERNAL FOIL FACED (AFI)

**FINISH:**

- EXPOSED FACE - B12 WHITE (OPTIONAL FINISHES AVAILABLE)

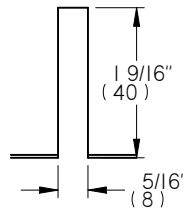
**FASTENING OPTIONS & ACCESSORIES:**

- ST - STRADDLE TEE (2-WAY PATTERN ONLY)
- CN - CENTRE NOTCH (36" / 900mm AND LONGER)
- STCN - STRADDLE TEE AND CENTRE NOTCH
- APF - ALUMINUM PLASTER FRAME
- TC1 - T-BAR CLIPS ON INLET SIDE
- TC2 - T-BAR CLIPS ON BOTH SIDES

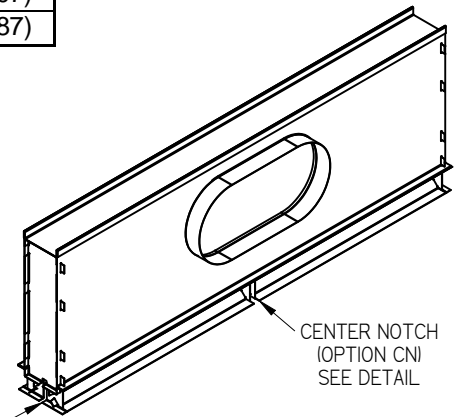
**NOTES:**

- FOR USE WITH 1" (25) FLAT TEE CEILINGS
- PLENUM ENDCAPS ARE UNINSULATED (OPTIONS CF, FF)
- FACTORY TOLERANCE +/- 1/32" (1)

| Inlet Sizes                              |
|--|
| 6" (152) Round                           |
| 8" (203) Round                           |
| 10" (254) Oval = 6" x 12 1/16" (152x307) |
| 12" (305) Oval = 6" x 15 7/32" (152x387) |



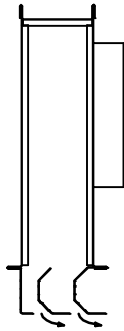
NOTCH DETAILS - OPTIONS ST AND CN



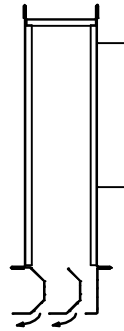
ALL METRIC DIMENSIONS ( ) ARE SOFT CONVERTED. IMPERIAL DIMENSIONS ARE CONVERTED TO METRIC AND ROUNDED TO THE NEAREST MILLIMETER.

|                 |  |  |
|-----------------|--|--|
| PROJECT:        |  | <b>PRICE</b>                                 |
| ENGINEER:       |  |  |
| CUSTOMER:       |  | <i>MG</i>                                    |
| SUBMITTAL DATE: |  | <b>252782</b>                                |
| SPEC. SYMBOL:   |  | <b>TBD7, TBDI7<br/>T-BAR SUPPLY DIFFUSER</b> |
|                 |  | <b>2015/09/22</b>                            |

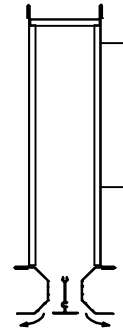
**TBD7, TBDI7 T-BAR SUPPLY DIFFUSERS**



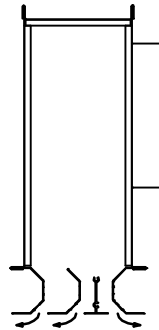
**1W-N PATTERN**  
1 TO 4 SLOTS



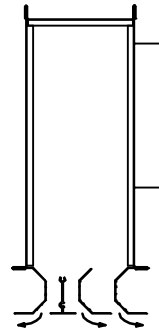
**1W-A PATTERN**  
1 TO 4 SLOTS



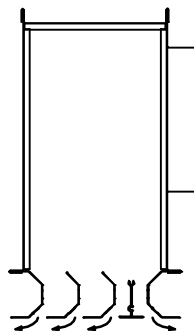
**2W-1N PATTERN**  
2 SLOT



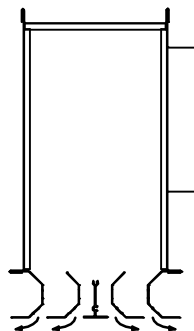
**2W-1N PATTERN**  
3 SLOT



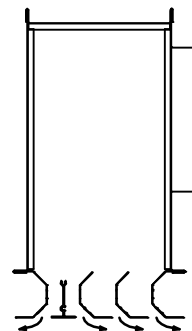
**2W-2N PATTERN**  
3 SLOT



**2W-1N PATTERN**  
4 SLOT



**2W-2N PATTERN**  
4 SLOT



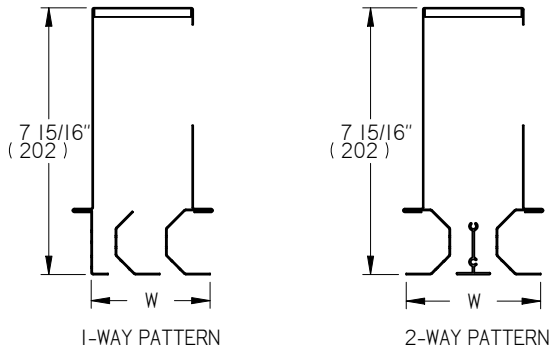
**2W-3N PATTERN**  
4 SLOT

ALL METRIC DIMENSIONS ( ) ARE SOFT CONVERTED. IMPERIAL DIMENSIONS ARE CONVERTED TO METRIC AND ROUNDED TO THE NEAREST MILLIMETER.

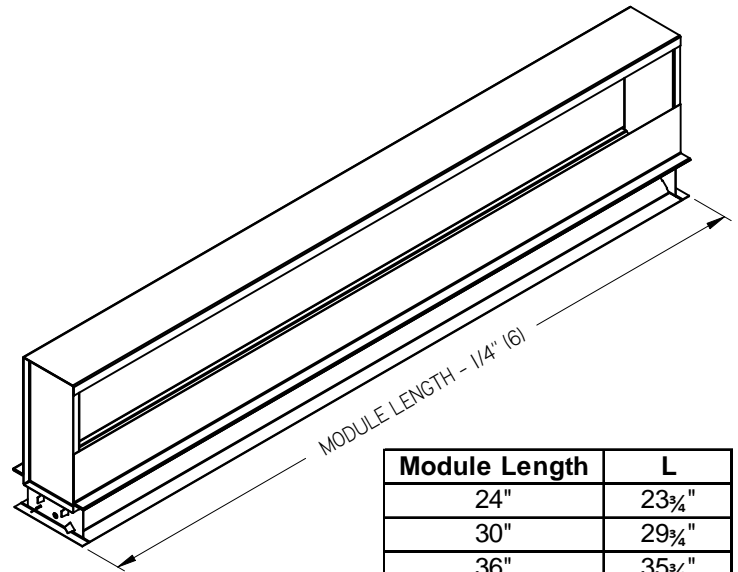
|                        |  |               |
|------------------------|--|---------------|
| <b>PROJECT:</b>        |  | <b>PRICE</b>  |
| <b>ENGINEER:</b>       |  |               |
| <b>CUSTOMER:</b>       |  | <i>MG</i>     |
| <b>SUBMITTAL DATE:</b> |  | <b>252782</b> |
| <b>SPEC. SYMBOL:</b>   |  | 2015/09/22    |

**TBD7, TBDI7**  
T-BAR SUPPLY DIFFUSER

TBR7, TBRI7 T-BAR RETURN DIFFUSERS



|        | W         |           |
|--------|-----------|-----------|
|        | 1 WAY     | 2 WAY     |
| 1 SLOT | 2" (51)   | -         |
| 2 SLOT | 3½" (90)  | 4" (102)  |
| 3 SLOT | 5" (127)  | 5½" (140) |
| 4 SLOT | 6½" (165) | 7" (178)  |



| Module Length | L      |
|---------------|--------|
| 24"           | 23¾"   |
| 30"           | 29¾"   |
| 36"           | 35¾"   |
| 48"           | 47¾"   |
| 60"           | 59¾"   |
| 600mm         | (594)  |
| 750mm         | (744)  |
| 900mm         | (894)  |
| 1200mm        | (1194) |
| 1500mm        | (1494) |

**STANDARD CONSTRUCTION:**

- STEEL DIFFUSER SECTION
- COATED STEEL PLENUM

**OPTIONAL INSULATION (MODEL TBRI7):**

- COATED FIBERGLASS (CF)
- FIBER FREE FOAM (FF)

**FINISH:**

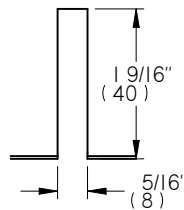
- EXPOSED FACE - B12 WHITE (OPTIONAL FINISHES AVAILABLE)

**FASTENING OPTIONS & ACCESSORIES:**

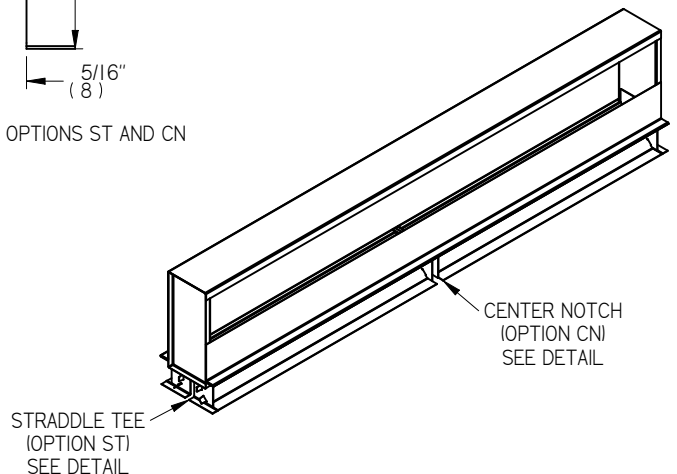
- ST - STRADDLE TEE (2-WAY PATTERN ONLY)
- CN - CENTRE NOTCH (36" / 900mm AND LONGER)
- STCN - STRADDLE TEE AND CENTRE NOTCH
- APF - ALUMINUM PLASTER FRAME
- TC1 - T-BAR CLIPS ON INLET SIDE
- TC2 - T-BAR CLIPS ON BOTH SIDES

**NOTES:**

- FOR USE WITH 1" (25) FLAT TEE CEILINGS
- TBRI7 IS INSULATED ON TOP PANEL ONLY
- FACTORY TOLERANCE +/- 1/32" (1)



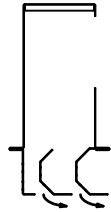
NOTCH DETAILS - OPTIONS ST AND CN



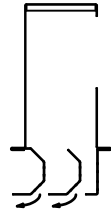
ALL METRIC DIMENSIONS ( ) ARE SOFT CONVERTED. IMPERIAL DIMENSIONS ARE CONVERTED TO METRIC AND ROUNDED TO THE NEAREST MILLIMETER.

|                 |  |  |
|-----------------|--|--|
| PROJECT:        |  | <b>PRICE</b>                                 |
| ENGINEER:       |  |  |
| CUSTOMER:       |  | <b>TBR7, TBRI7<br/>T-BAR RETURN DIFFUSER</b> |
| SUBMITTAL DATE: |  | <b>252783</b>                                |
| SPEC. SYMBOL:   |  | <b>2009/08/05</b>                            |

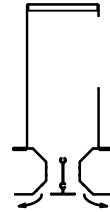
TBR7, TBRI7 T-BAR RETURN DIFFUSERS



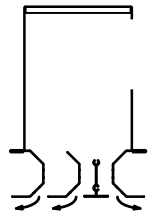
**1W-N PATTERN**  
1 TO 4 SLOTS



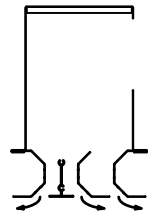
**1W-A PATTERN**  
1 TO 4 SLOTS



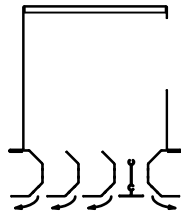
**2W-1N PATTERN**  
2 SLOT



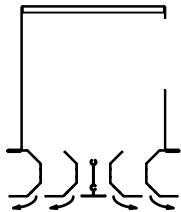
**2W-1N PATTERN**  
3 SLOT



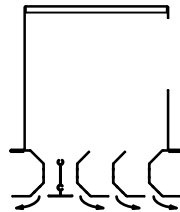
**2W-2N PATTERN**  
3 SLOT



**2W-1N PATTERN**  
4 SLOT



**2W-2N PATTERN**  
4 SLOT



**2W-3N PATTERN**  
4 SLOT

ALL METRIC DIMENSIONS ( ) ARE SOFT CONVERTED. IMPERIAL DIMENSIONS ARE CONVERTED TO METRIC AND ROUNDED TO THE NEAREST MILLIMETER.

|                 |  |  |
|-----------------|--|--|
| PROJECT:        |  | <b>PRICE</b>                                 |
| ENGINEER:       |  |  |
| CUSTOMER:       |  | <b>TBR7, TBRI7<br/>T-BAR RETURN DIFFUSER</b> |
| SUBMITTAL DATE: |  | <b>252783</b>                                |
| SPEC. SYMBOL:   |  | 2009/08/05                                   |